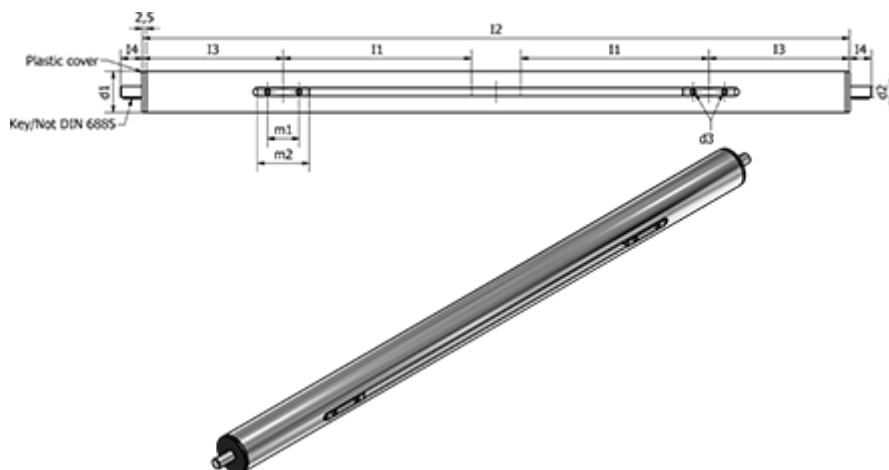


Article number: 2029350200RL2SCR

Description: E+G Linear actuators - GN 293-50-200-RL2-SCR

## Measures



$d_1 = 50$

$d_2 f_7 = 12$

$d_3 = M6$

$l_1 = 200$

$l_2 = 2 \times 11 + 309$

$l_3 = 120$

$l_4 = 18$

$m_1 = 42$

$m_2 = 54$

Max. travel = 748

Shaft key DIN 6885 = A4x4x12

Shaft thread = TR20x4